

RECOMMENDED P.C.B. LAYOUT

| REV | DESCRIPTION | DATE | DRAWN | APPROVED |
|-----|-------------|------------|--------|----------|
| A | ECO-0003016 | 2012/7/18 | GORDON | FRED |
| B | ECO-0004451 | 2014/08/04 | WEILUO | FRED |
| C | ECO-0004868 | 2015/12/09 | EVA | KENT |

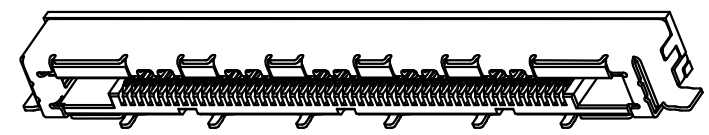
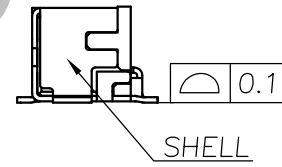
NOTES:

- MATERIAL:
 - HOUSING: THERMOPLASTIC UL94 V-0
COLOR: BLACK
 - CONTACT: COPPER ALLOY $t=0.2\text{mm}$
 - SHELL: STAINLESS $t=0.2\text{mm}$
PLATING: MATTE TIN 70μ " (LEAD FREE)
OVER ALL 20μ " NICKEL UNDER PLATED
- PART OF NO: WF23-402-XX3X

PLATING:
3: CONTACT AREA 5μ " GOLD,
SOLDER AREA 100μ " MIN
MATTE TIN (LEAD FREE)
OVERALL WITH 50μ " MIN
NICKEL UNDER PLATED

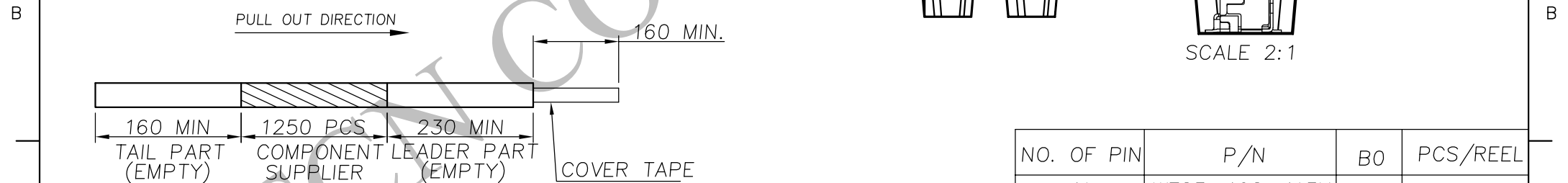
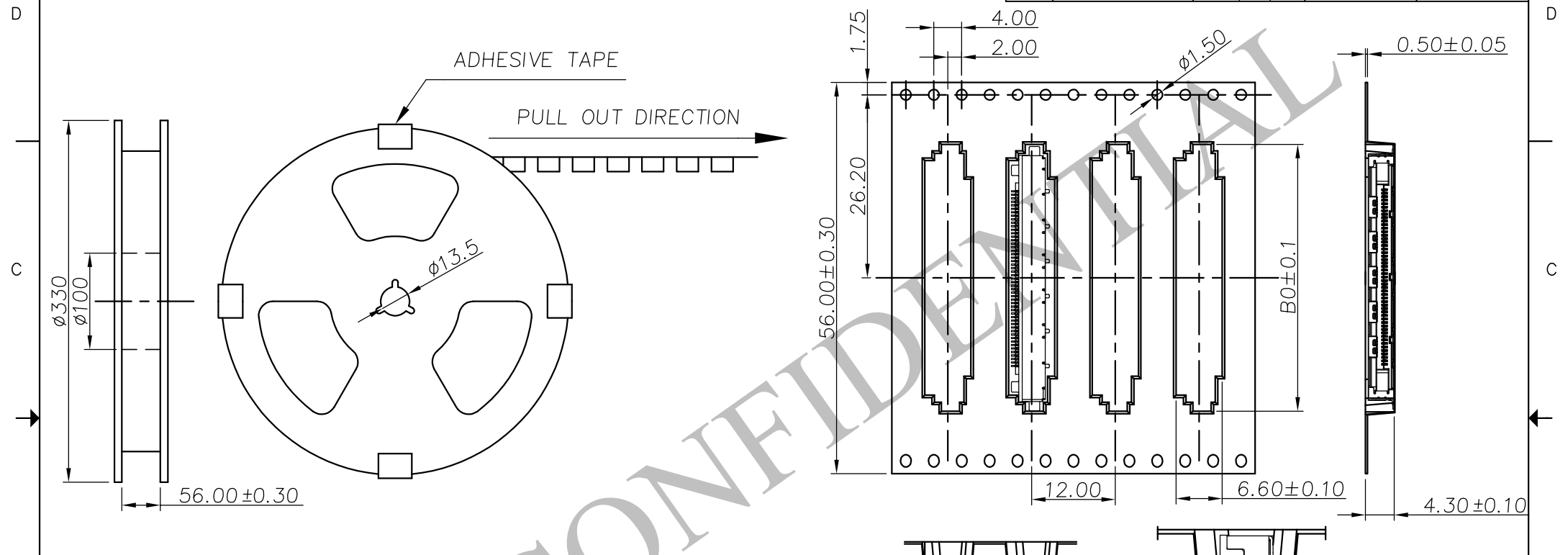
PACKING:
3= TAPE & REEL

NO. OF PIN
41=41PIN
51=51PIN



| | | | | |
|--|------|--|------------------|---|
| FCN <small>THESE DRAWINGS AND SPECIFICATIONS ARE THE PROPERTY OF FCN GROUP AND SHALL NOT BE PRODUCED, COPIED OR USED IN ANY MANNER WITHOUT THE PRIOR WRITTEN CONSENT OF FCN GROUP.</small> | | TOLERANCES : | | UNLESS OTHERWISE SPECIFIED; DIMENSIONS ARE IN MILLIMETER, DO NOT SCALE DRAWING. |
| | | DECIMALS .X ± 0.25 ANGULAR X ± 5° | .XX ± 0.20 | |
| NAME | | LVDS 0.5P H=3.7mm RECEPTACLE R/A SMT SHIELD TYPE | | |
| DRAWN | EVA | DATE | 2015/12/09 | REV |
| CHECKED | KENT | FILE NO. | WF23 | DWG NO. |
| APVD | KENT | CAD NO. | D08-WF23-006_1.C | D08-WF23-006 |
| | | | | SHEET 1 OF 5 |

| REV | DESCRIPTION | DATE | DRAWN | APPROVED |
|-----|-------------|------------|--------|----------|
| A | ECO-0003016 | 2012/7/18 | GORDON | FRED |
| B | ECO-0004451 | 2014/08/04 | WEILUO | FRED |
| C | ECO-0004868 | 2015/12/09 | EVA | KENT |



| NO. OF PIN | P/N | B0 | PCS/REEL |
|------------|---------------|------|----------|
| 41 | WF23-402-413X | 33.2 | 1250 PCS |
| 51 | WF23-402-513X | 38.2 | 1250 PCS |

FCN

THESE DRAWINGS AND SPECIFICATIONS ARE THE PROPERTY OF FCN GROUP AND SHALL NOT BE PRODUCED, COPIED OR USED IN ANY MANNER WITHOUT THE PRIOR WRITTEN CONSENT OF FCN GROUP.

TOLERANCES :
 DECIMALS: .x ± 0.25 ANGULAR x ± 5°
 .xx ± 0.20 .x ± 3°
 .xxx ± .xxx ±

UNLESS OTHERWISE SPECIFIED; DIMENSIONS ARE IN MILLIMETER. DO NOT SCALE DRAWING.

NAME
 LVDS 0.5P H=3.7mm RECEPTACLE
 R/A SMT SHIELD TYPE

| | | | | |
|-----------------|--------------------|-----------------------------|-------------------------|----------|
| DRAWN EVA | DATE 2015/12/09 | FILE NO. WF23 | DWG NO. D08-WF23-006 | REV C |
| CHECKED KENT | DATE 2015/12/09 | CAD NO. D08-WF23-006_2_c | SHEET 2 OF 5 | |