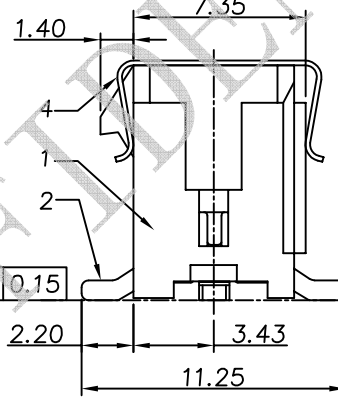
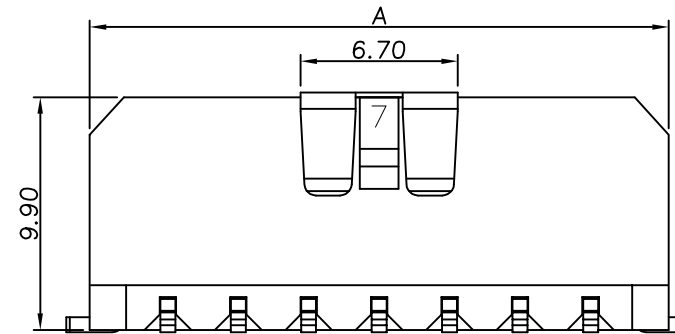
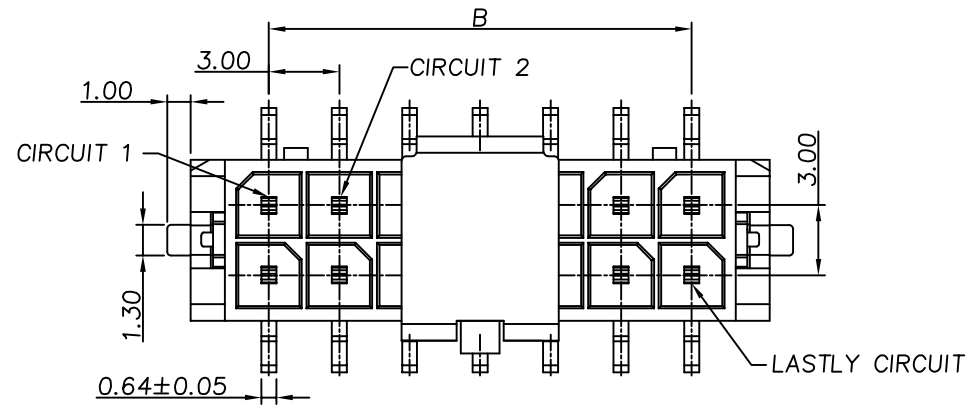
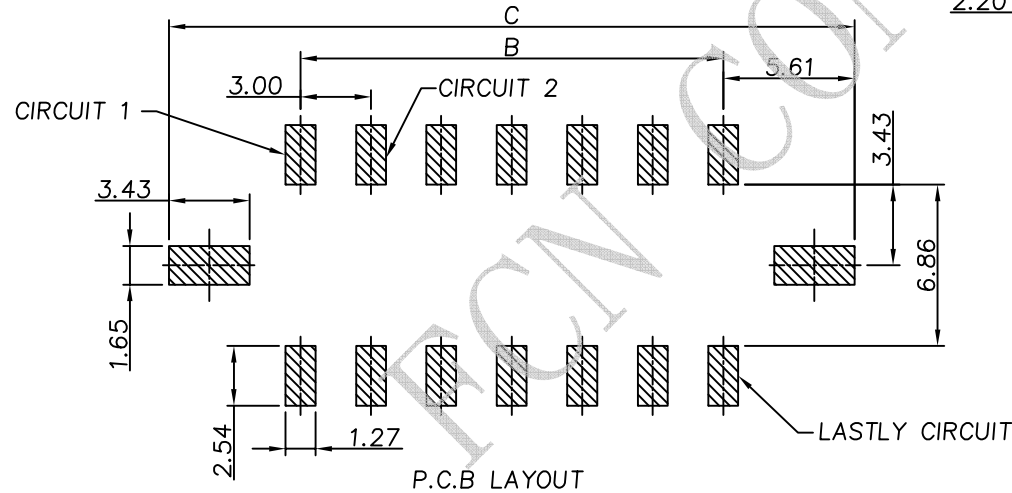


REV	DESCRIPTION	DATE	DRAWN	APPROVED
A	ECO-0005457	2019/08/22	ZXP	SEVEN



- NOTE:
- MATERIAL:
HOUSING: PLASTIC ,UL94V-0 ,BLACK.
CONTACT: COPPER ALLOY.
TAB: COPPER ALLOY.
CAP: SUS.
 - FINISH:
TERMINAL: NICKEL UNDER-PLATED OVER ALL
GOLD PLATED, Sn ON SOLDER TAIL AREA.
TAB: NICKEL UNDER-PLATED OVER ALL,
AND Sn ON SOLDER TAIL AREA.
CAP: NO PLATING.
 - ELECTRICAL CHARACTERISTIC:
3.1 VOLTAGE RATING: AC/DC 250V
3.2 CURRENT RATING: 5A
3.3 CONTACT RESISTANCE: 10mΩ MAX (INITIAL)
3.4 INSULATOR RESISTANCE: 1000MΩ MIN (INITIAL)
 - OPERATING TEMPERATURE: -40°C TO +105°C
 - PART NUMBER:
WM29-300-XX3X

- PLATING OF OPTION
5: Au15u" ON CONTACT POINT
Sn100u" ON SOLDER TAIL AREA
6: Au30u" ON CONTACT POINT
Sn100u" ON SOLDER TAIL AREA
- PACKING
3=T&R
- PIN NO.
10: 10PIN.
14: 14PIN.



PIN No.	DIMENSIONS(mm)		
	A	B	C
10	18.65	12.00	23.20
14	24.65	18.00	29.20

NO	DESCRIPTION	QTY
1	HOUSING	1
2	CONTACT	10&14
3	TAB	2
4	CAP	1

P.C.B LAYOUT
GENERAL TOLERANCE±0.05

FCN

THESE DRAWINGS AND SPECIFICATIONS ARE THE PROPERTY OF FCN GROUP AND SHALL NOT BE PRODUCED, COPIED OR USED IN ANY MANNER WITHOUT THE PRIOR WRITTEN CONSENT OF FCN GROUP.

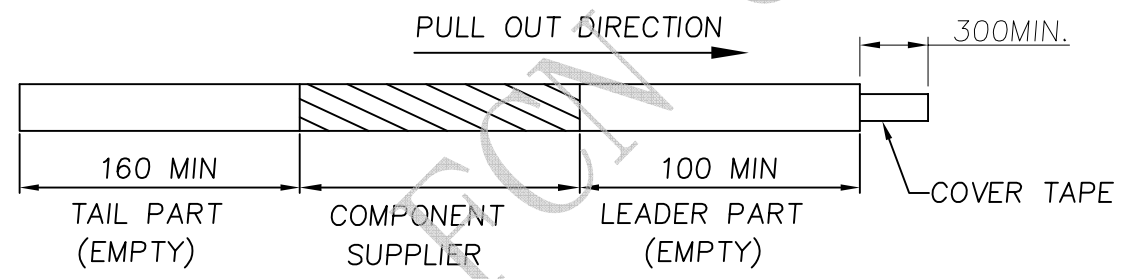
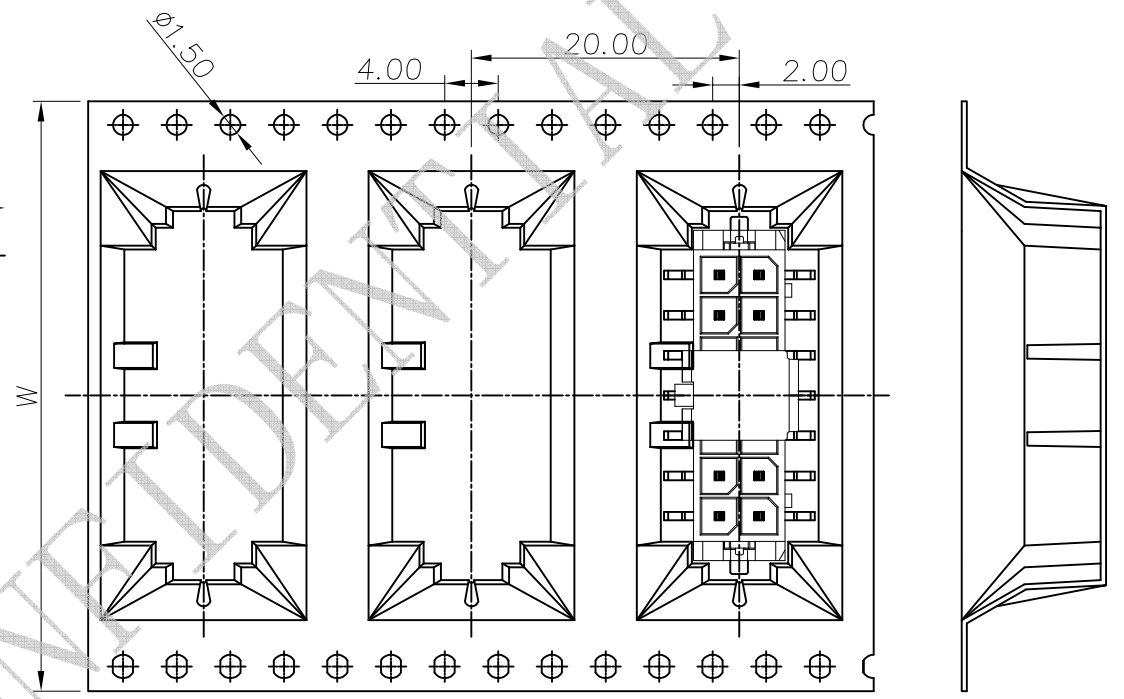
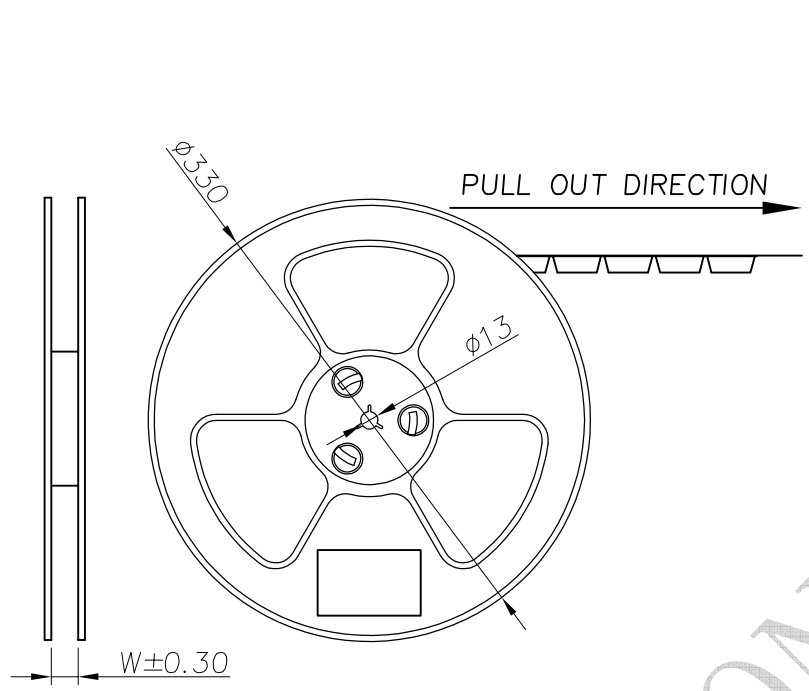
TOLERANCES :
DECIMALS: x ± 0.25 ANGULAR x ± 5°
.xx ± 0.20 .x ± 3°
.xxx ± .xxx ±

UNLESS OTHERWISE SPECIFIED;
DIMENSIONS ARE IN MILLIMETER.
DO NOT SCALE DRAWING.

NAME
WTB MALE HEADER PITCH 3.0MM 180D SMT

DRAWN ZXP	DATE 2019/08/22	FILE NO. WM29	DWG NO. D08-00672	REV A
CHECKED SEVEN	2019/08/22	CAD NO. D08-00672-1_A	SHEET 1 OF 2	
APVD SEVEN	2019/08/22			

REV	DESCRIPTION	DATE	DRAWN	APPROVED
A	ECO-0005457	2019/08/22	ZXP	SEVEN



14	WM29-300-143X	44	300
10	WM29-300-103X	44	300
NO. OF PIN	PART NO.	DIM. W(mm)	PACKING (PCS/REEL)

FCN <small>THESE DRAWINGS AND SPECIFICATIONS ARE THE PROPERTY OF FCN GROUP AND SHALL NOT BE PRODUCED, COPIED OR USED IN ANY MANNER WITHOUT THE PRIOR WRITTEN CONSENT OF FCN GROUP.</small>		TOLERANCES : DECIMALS: x ± 0.25 ANGULAR x ± 5° .xx ± 0.20 .x ± 3° .xxx ± .xxx ±		UNLESS OTHERWISE SPECIFIED; DIMENSIONS ARE IN MILLIMETER. DO NOT SCALE DRAWING.
		NAME WTB MALE HEADER PITCH 3.0MM 180D SMT		
DRAWN	ZXP	DATE	2019/08/22	REV
CHECKED	SEVEN	DATE	2019/08/22	FILE NO.
APVD	SEVEN	DATE	2019/08/22	DWG NO.
CAD NO.		D08-00672_2_A		SHEET 2 OF 2