

REV	DESCRIPTION	DATE	DRAWN	APPROVED
G	ECN040914	1993/09/14	TINA	CHRIS
H	ECN051224	1994/12/27	ETHAN	TOM
J	ECO-0000944	2010/06/24	SUNNY	FRED

NOTES:

ORDER INFORMATION

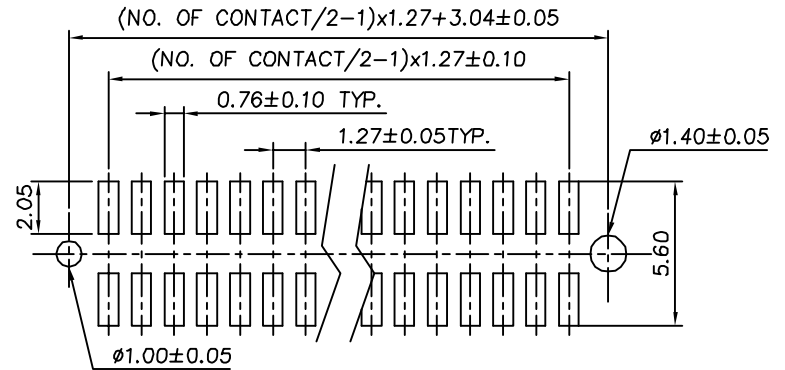
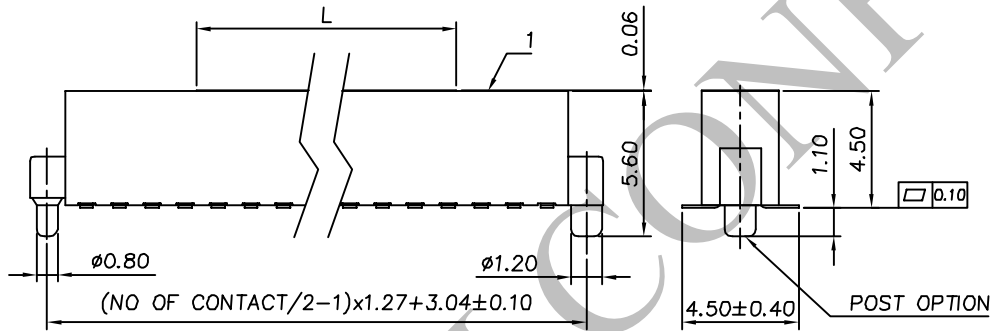
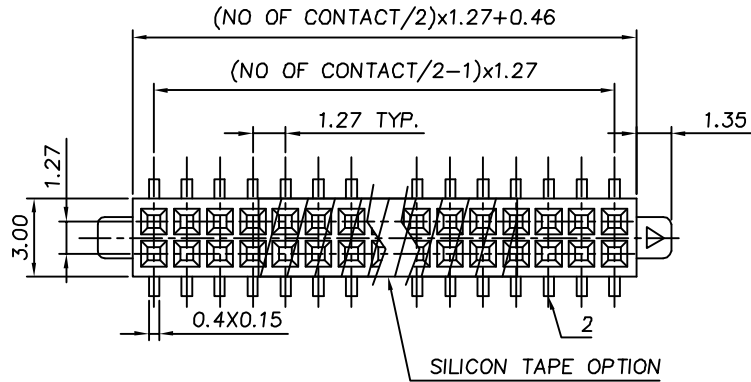
Y06-0X100-XXXX

SILICON TAPE OPTION:
 0=W/O SILICON TAPE
 1=W/SILICON TAPE
 06 TO 20 PIN L=4.5mm
 21 TO 100 PIN L=10.0mm

NO. OF PIN:
 06 TO 98
 A0=100 PIN

PACKING:
 1= TRAY(06 PIN)
 2= TUBE(08~100 PIN)
 3= T&R

PLATING:
 7=G/F ALL
 9=GOLD 15u" ON CONT.
 G/F ON SOLDER TAIL
 B=GOLD 30u" ON CONT.
 G/F ON SOLDER TAIL
 D=GOLD 10u" ON CONT.
 G/F ON SOLDER TAIL

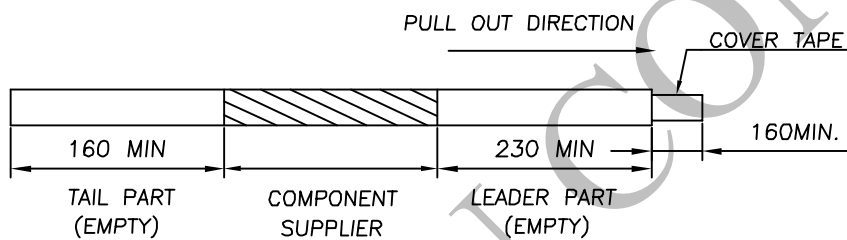
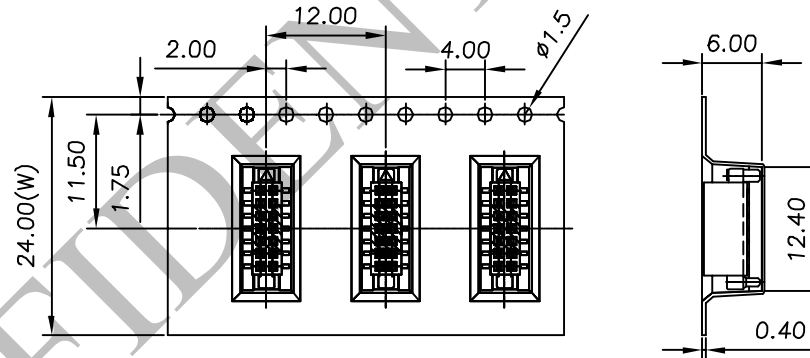
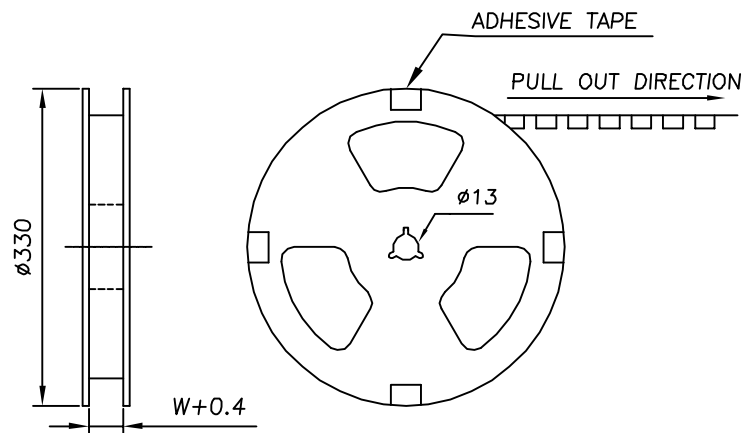


RECOMMENDED PCB LAYOUT

NO.	NAME	MATERIAL	FINISH REMARKS
2	PIN	PHOSPHOR BRONZE	GOLD
1	HOUSING	PLASTIC	UL94V-0

<p>FCN</p> <p>THESE DRAWINGS AND SPECIFICATIONS ARE THE PROPERTY OF FCN GROUP AND SHALL NOT BE PRODUCED, COPIED OR USED IN ANY MANNER WITHOUT THE PRIOR WRITTEN CONSENT OF FCN GROUP.</p>		<p>TOLERANCES :</p> <p>DECIMALS: x ± 0.3 ANGULAR x ± 5°</p> <p>.XX ± 0.25 x ± 3°</p> <p>.XXX ± .XXx</p>		<p>UNLESS OTHERWISE SPECIFIED; DIMENSIONS ARE IN MILLIMETER. DO NOT SCALE DRAWING.</p>	
		<p>NAME</p> <p>FEMALE HEADER 1.27X1.27mm W/POST SMT TYPE</p>			
DRAWN	SUNNY	DATE	2010/06/24	REV	J
CHECKED	HARRY	FILE NO.	Y06	DWG NO.	Y06-001
APVD	Fred	CAD NO.	Y06-001_1_J	SHEET	1 OF 2

REV	DESCRIPTION	DATE	DRAWN	APPROVED
A	ECO-0000944	2010/06/24	SUNNY	FRED



FCN <small>THESE DRAWINGS AND SPECIFICATIONS ARE THE PROPERTY OF FCN GROUP AND SHALL NOT BE PRODUCED, COPIED OR USED IN ANY MANNER WITHOUT THE PRIOR WRITTEN CONSENT OF FCN GROUP.</small>		TOLERANCES : DECIMALS: .x ± 0.20 ANGULAR x ± 5° .XX ± 0.15 X ± 3° .XXX ± .XX ±		UNLESS OTHERWISE SPECIFIED; DIMENSIONS ARE IN MILLIMETER. DO NOT SCALE DRAWING.
		NAME FEMALE HEADER 1.27X1.27mm W/POST SMT TYPE		
DRAWN SUNNY	DATE 2010/06/24	FILE NO. Y06	DWG NO. Y06-001	REV A
CHECKED HARRY	DATE 2010/06/24	CAD NO. Y06-001_2_A		SHEET 2 OF 2
APVD FRED	DATE 2010/06/24			

Y06-01100-143X	900 PCS/REEL
PART NO.	PACKING