

41 PIN TYPE

REV	DESCRIPTION	DATE	DRAWN	APPROVED
A	ECO-0001240	2010/07/12	DAVID.KE	ERIC
B	ECO-0001479	2011/03/07	KEN	ERIC

NOTES:

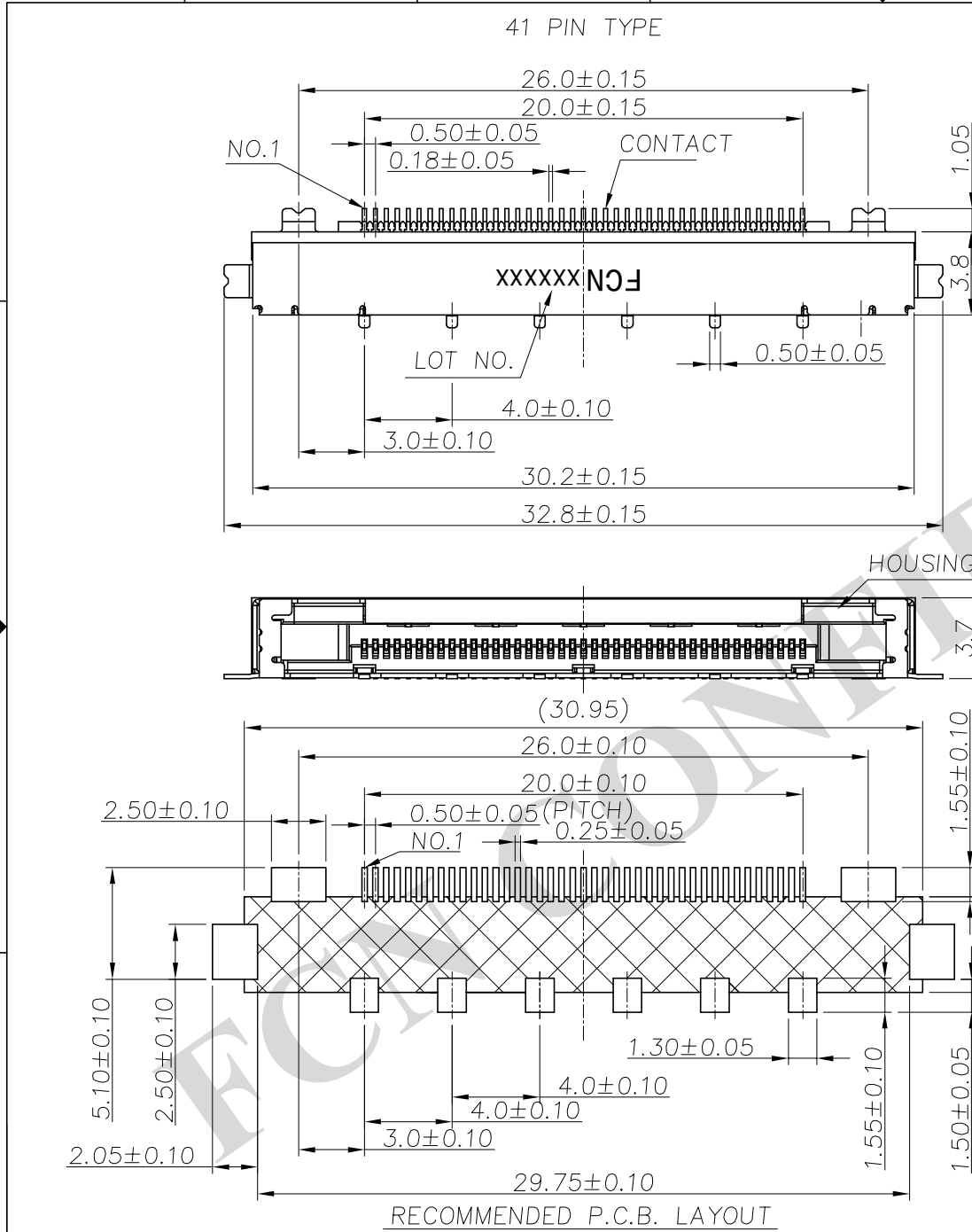
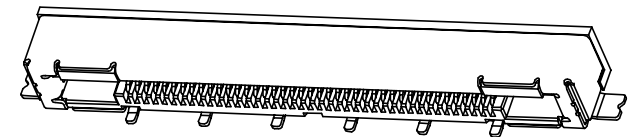
1. MATERIAL:

- 1.1. HOUSING: THERMOPLASTIC UL94 V-0  
COLOR: BLACK
  - 1.2. CONTACT: COPPER ALLOY t=0.2mm
  - 1.3. SHELL: STAINLESS t=0.2mm  
PLATING: MATTE TIN 70u" (LEAD FREE)  
OVER ALL 20u" NICKEL UNDER PLATED
2. PART OF NO: WF23-400-XX3X

PLATING:

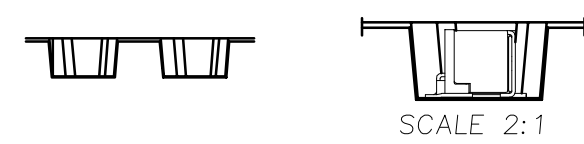
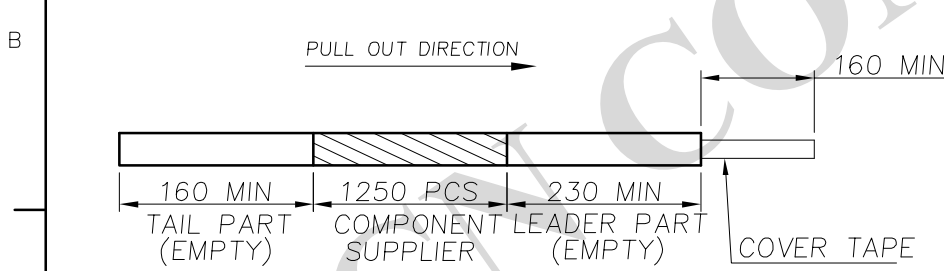
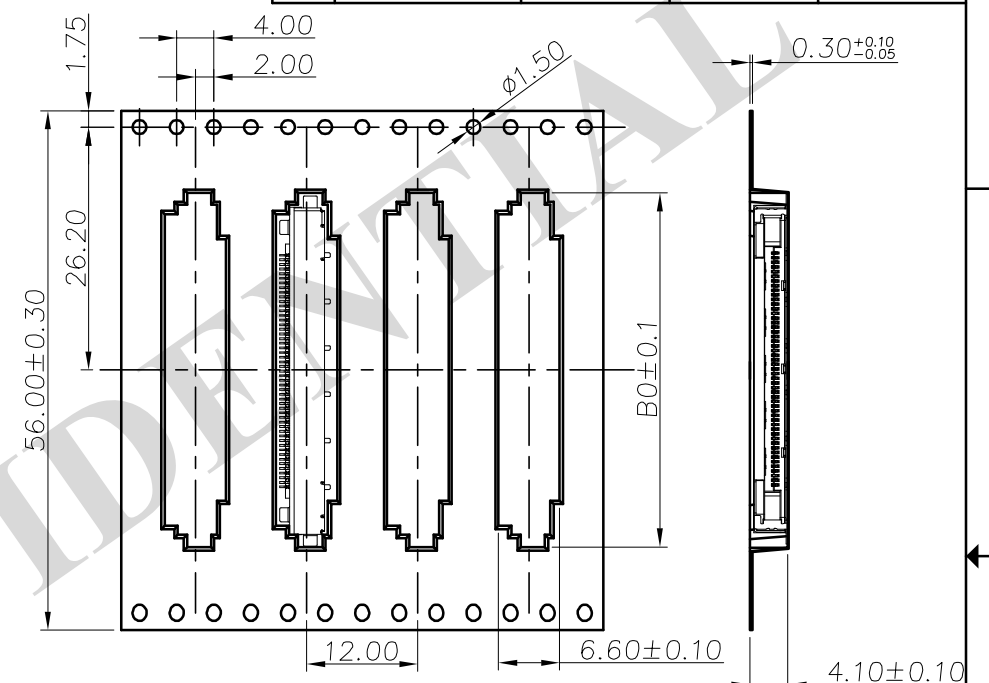
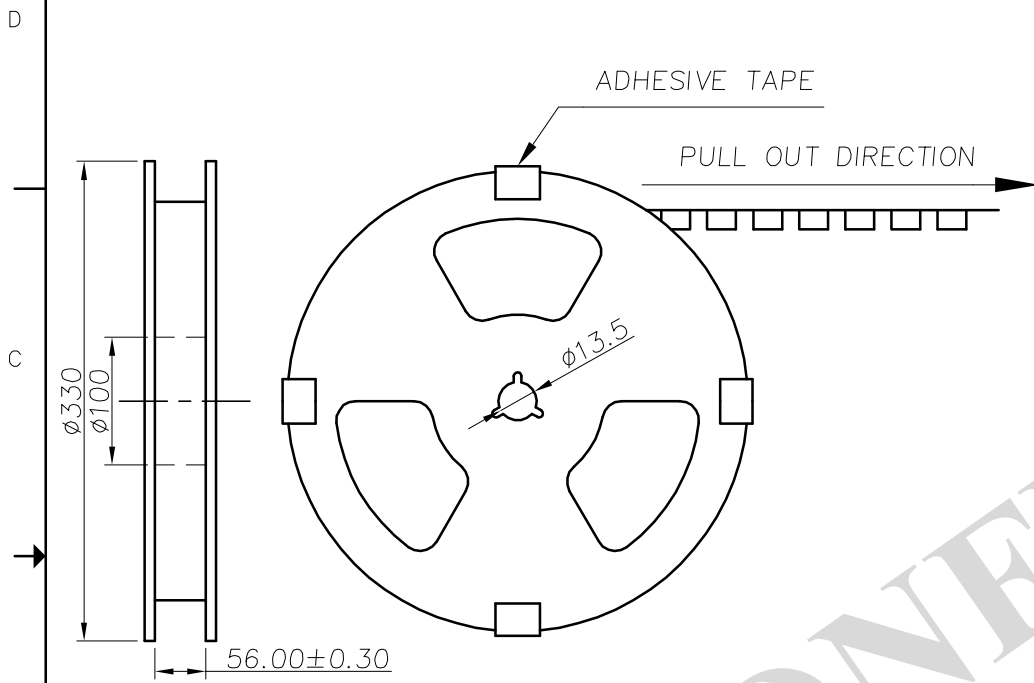
- C: CONTACT AREA 5u" GOLD,  
OTHER AREA GOLD FLASH  
OVER ALL 40~80u" NICKEL  
UNDER PLATED
- D: CONTACT AREA 10u" GOLD,  
OTHER AREA GOLD FLASH  
OVER ALL 40~80u" NICKEL  
UNDER PLATED
- E: CONTACT AREA 15u" GOLD,  
OTHER AREA GOLD FLASH  
OVER ALL 40~80u" NICKEL  
UNDER PLATED

NO. OF PIN PACKING:  
41=41PIN    3= TAPE & REEL  
51=51PIN



<b>FCN</b>	TOLERANCES :		UNLESS OTHERWISE SPECIFIED;	
	DECIMALS.X	± 0.25	ANGULAR X ± 5°	DIMENSIONS ARE IN MILLIMETER.
	.XX	± 0.20	.X ± 3°	DO NOT SCALE DRAWING.
	.XXX	±	.XX ±	
NAME LVDS 0.5P H=3.8mm RECEPTACLE R/A SMT SHIELD TYPE				
DRAWN	KEN	DATE	2011/03/07	REV
CHECKED	EVA	FILE NO.	WF23	DWG NO.
APVD	ERIC	DWG NO.	D08-WF23-003	REV
		CAD NO.	D08-WF23-003_2_B	SHEET 2 OF 3

REV	DESCRIPTION	DATE	DRAWN	APPROVED
A	ECO-0001240	2010/07/12	DAVID.KE	ERIC
B	ECO-0001479	2011/03/07	KEN	ERIC



NO. OF PIN	P/N	B0	PCS/REEL
41	WF23-400-413X	33.2	1250 PCS
51	WF23-400-513X	38.2	

**FCN**

THESE DIMENSIONS AND SPECIFICATIONS ARE THE PROPERTY OF FCN GROUP AND SHALL NOT BE REPRODUCED, COPIED OR USED IN ANY MANNER WITHOUT THE PRIOR WRITTEN CONSENT OF FCN GROUP.

TOLERANCES :  
 DECIMALS .X  $\pm 0.25$  ANGULAR X  $\pm 5^\circ$   
 .XX  $\pm 0.20$  .X  $\pm 3^\circ$   
 .XXX  $\pm$  .XX  $\pm$   
 UNLESS OTHERWISE SPECIFIED, DIMENSIONS ARE IN MILLIMETER, DO NOT SCALE DRAWING.

NAME: LVDS 0.5P H=3.8mm RECEPTACLE R/A SMT SHIELD TYPE

DRAWN	KEN	DATE	2011/03/07
CHECKED	EVA	DATE	2011/03/07
APVD	ERIC	DATE	2011/03/07

FILE NO.	DWG NO.	REV
WF23	D08-WF23-003	B

CAD NO.	SHEET
D08-WF23-003_3_B	3 OF 3